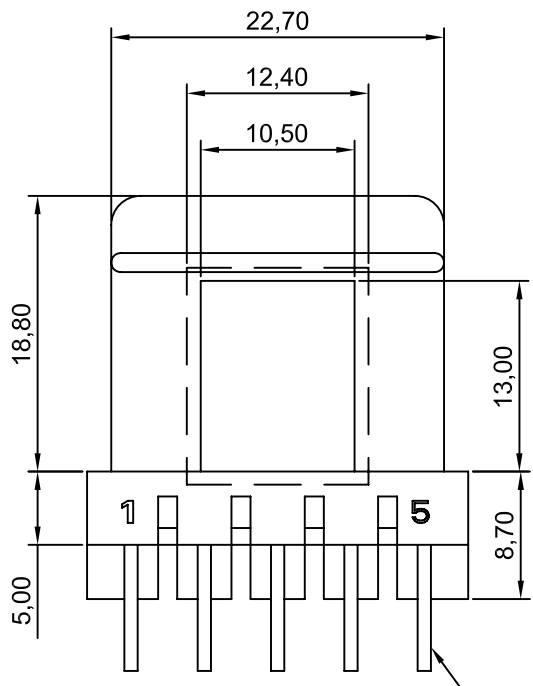
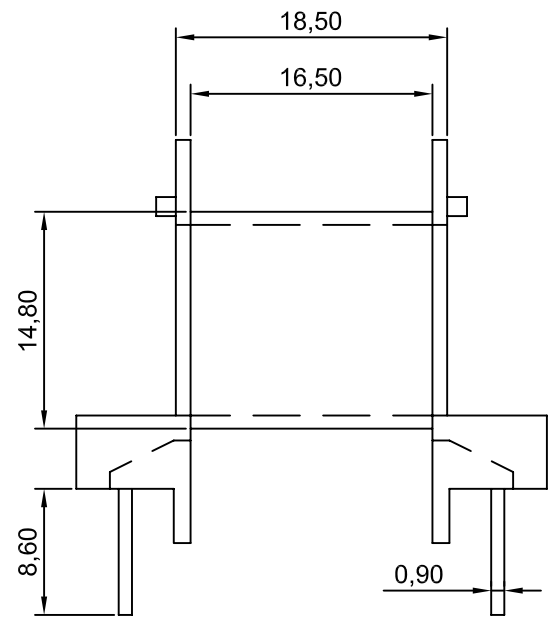


REVISIONS				
ZONE	REV.	DESCRIPTION	DATE	APPD.

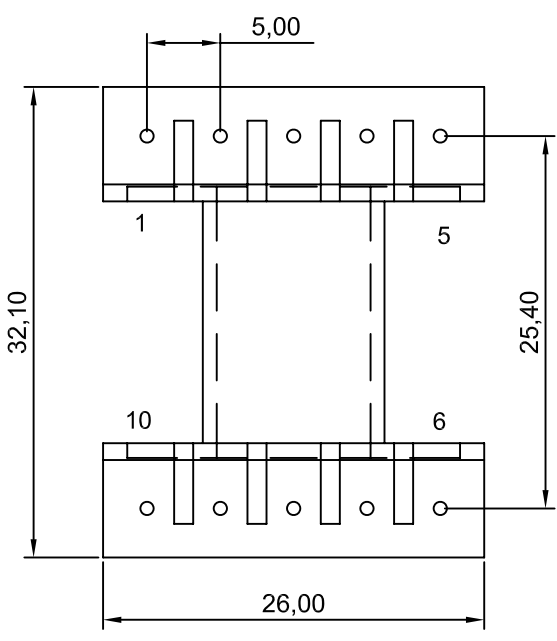
1
2
3
4
5
6
7
8
9



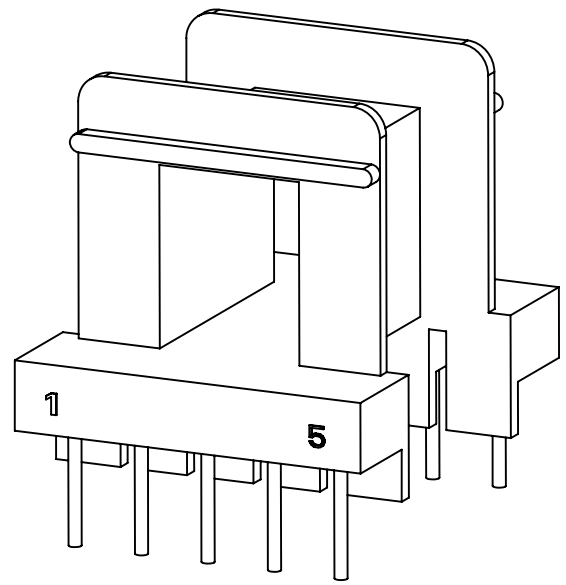
FRONT VIEW



R.H.SIDE VIEW



BOTTOM VIEW



COMPONENT WEIGHT - 6.0 GMS

<p>NOTE: (1) All dimensions are in mm. (2) Tolerance for all dimension is (±0.2) (3) Molding Material: (a) Zytel FR 50 BK 153J - UL & RoHS (b) Zytel 70G33L BK 031 - Non UL. (c) Zytel 70G33L NC 010 - Non UL (d) Rynite FR530L BK507 - UL & RoHS (e) Ultramid A3X2G5 - UL & RoHS (5) Pin Material: C.C.S Wire with Tin (Su) Plated</p>				DURGA ELECTRONICS (INDIA)		
				COMPONENT NAME: BOBBIN		
				PART NO: EI 3313 HORIZONTAL 10 PIN		
DESIGN BY	SACHIDANAND	Sachidanand	02.01.04	REMARKS:	REV. 00	
CHECKED BY	MANOJ GUPTA		02.01.04			
APPR. BY	MANOJ GUPTA		02.01.04			
				SCALE: 1:4	DRG.NO: DEI/DRG/0119	PATH ↓